



# TOTAL QS SLABFORM SYSTEM

## Products and Services

### Access Scaffolding Systems

- TSS Total Scaffold System (Steel/Aluminum)
- TSF Total System Frame (Aluminum)
- Traditional Frame Scaffolding

### Shoring Systems

- Truss Shoring System (Steel/Aluminum)
- QSS Quick Strip System (Aluminum)
- HD Frame Shoring (Steel/Aluminum)
- Post Shores (Steel/Aluminum)

### Forming System

- Panel Forming System (Steel/Aluminum)
- Mega Form Panel Forming System (Aluminum)
- Gang Forming System (Aluminum)
- Aluminum Beams
- Aluminum Strong Backs

### Technical Services

- Project Analysis
- Technical Training
- On Site Technical Support
- Custom Design



## **Etobicoke Ironworks Limited**

141-163 Rivalda Road Weston Ontario M9M 2M6

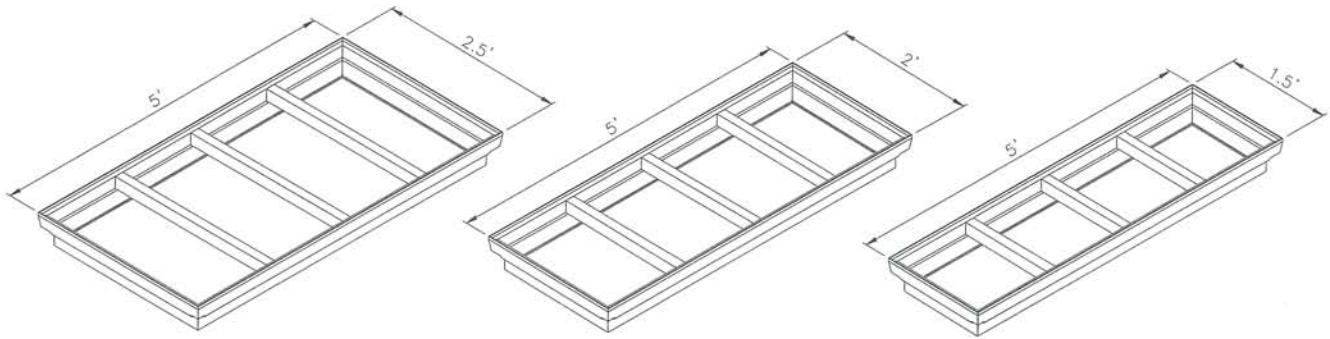
Tel: (416) 742-7111

Fax: (416) 742-2737

email: [info@eiw-ca.com](mailto:info@eiw-ca.com)

[www.eiw-ca.com](http://www.eiw-ca.com)

# TOTAL QS EIWDECK PANELS

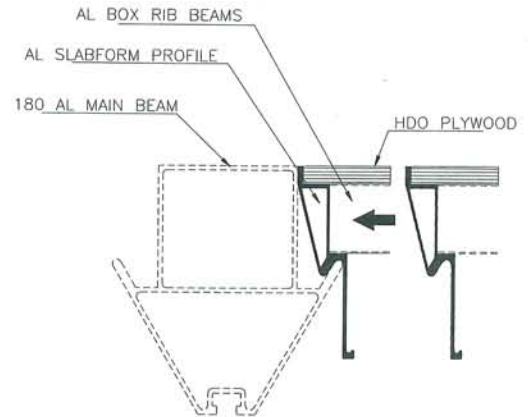
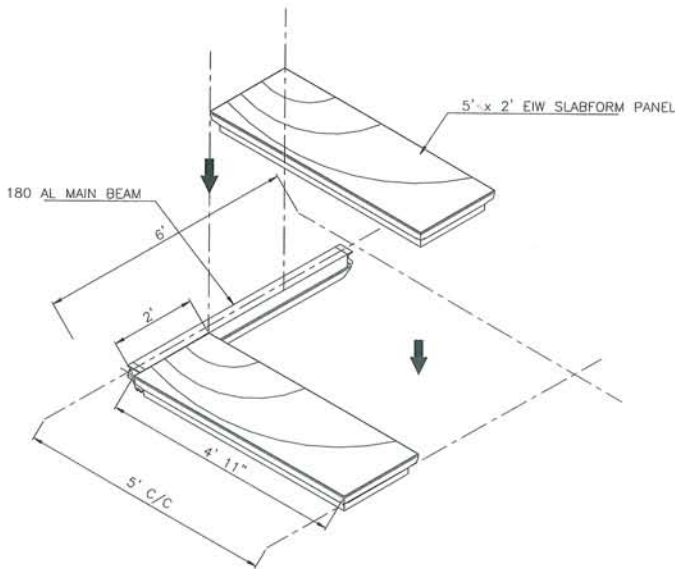


5' x 2.5'  
(41 lbs)

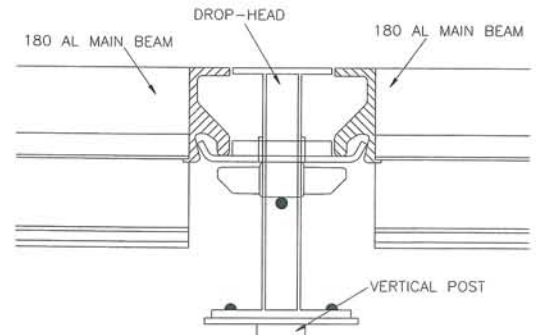
5' x 2'  
(33 lbs)

5' x 1.5'  
(25 lbs)

## APPLICATION TO MAIN BEAM



## Dismantling the QS Drop-Head:



**Etobicoke Ironworks Limited**

141-163 Rivalda Road Weston Ontario M9M 2M6  
Tel: (416) 742-7111 Fax: (416) 742-2737  
email: info@eiw-ca.com www.eiw-ca.com

Distributed by: